

FF

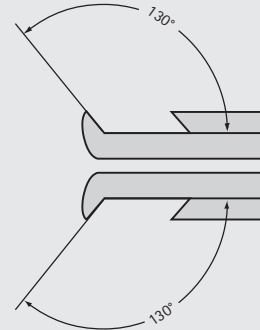
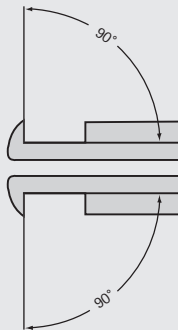
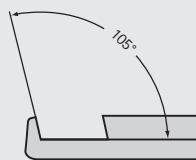


Knochenstanzen, Rongeurs
Bone Punches, Rongeurs

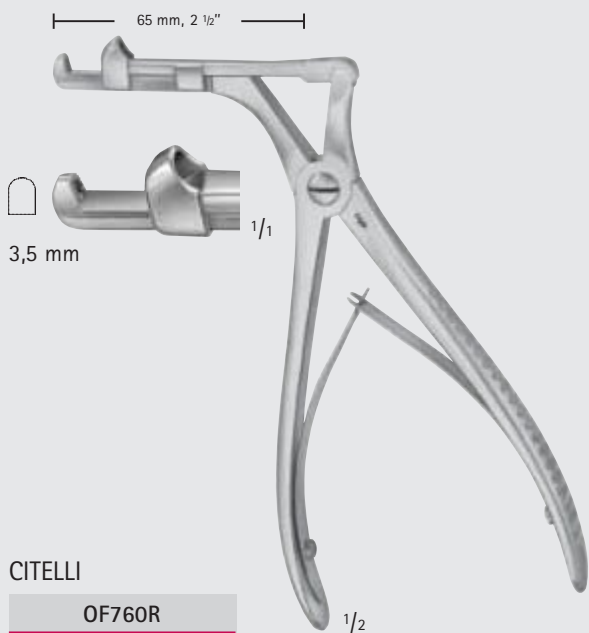
Knochenstanzen, Rongeurs – Bone Punches, Rongeurs

Stanzen
Punches

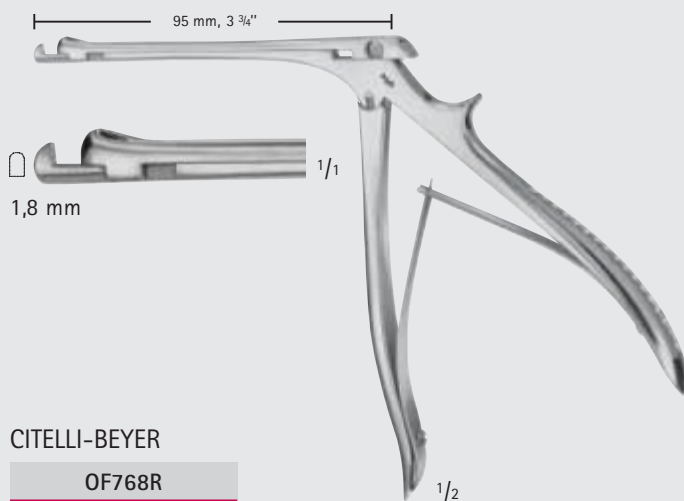
Winkelstellungen bei Stanzen
Angled positions for punches



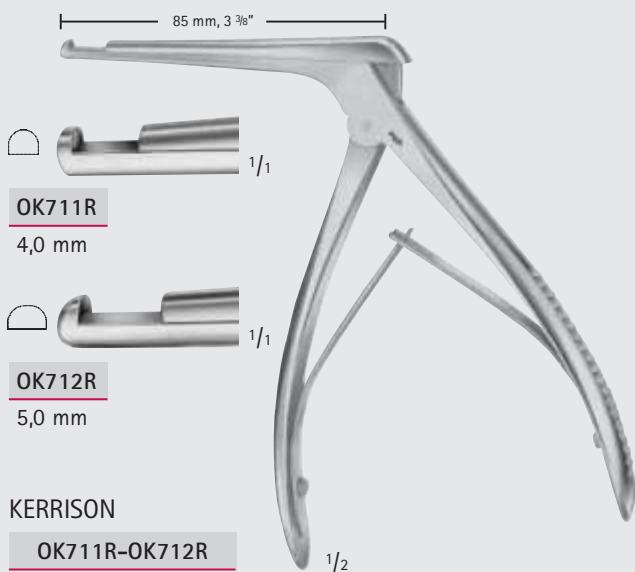
90° nach oben schneidend
upwards cutting



90° nach oben schneidend
upwards cutting



90° nach oben schneidend
upwards cutting



FF



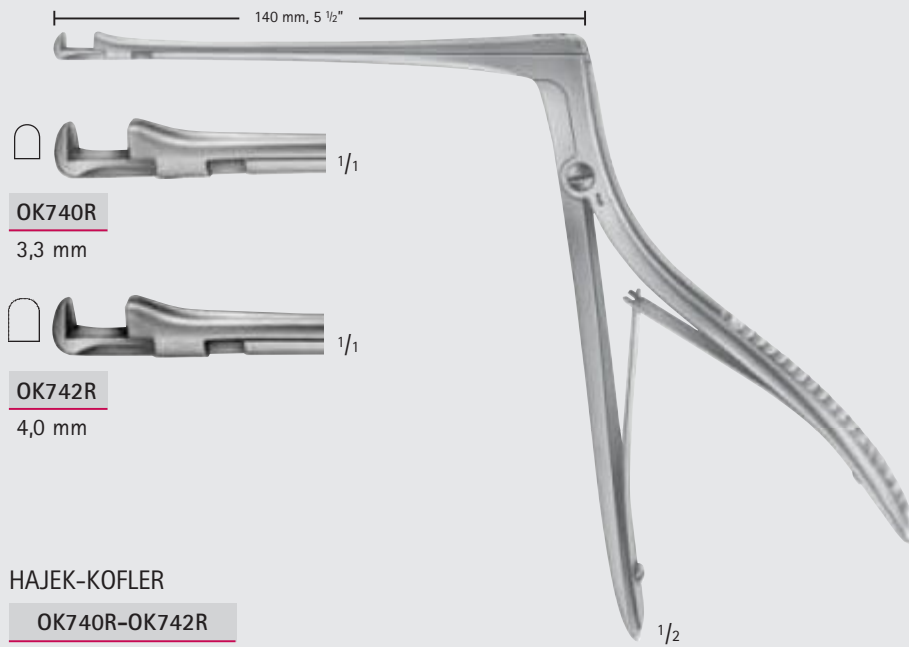


Knochenstanzen, Rongeurs – Bone Punches, Rongeurs

Stanzen
Punches

FF

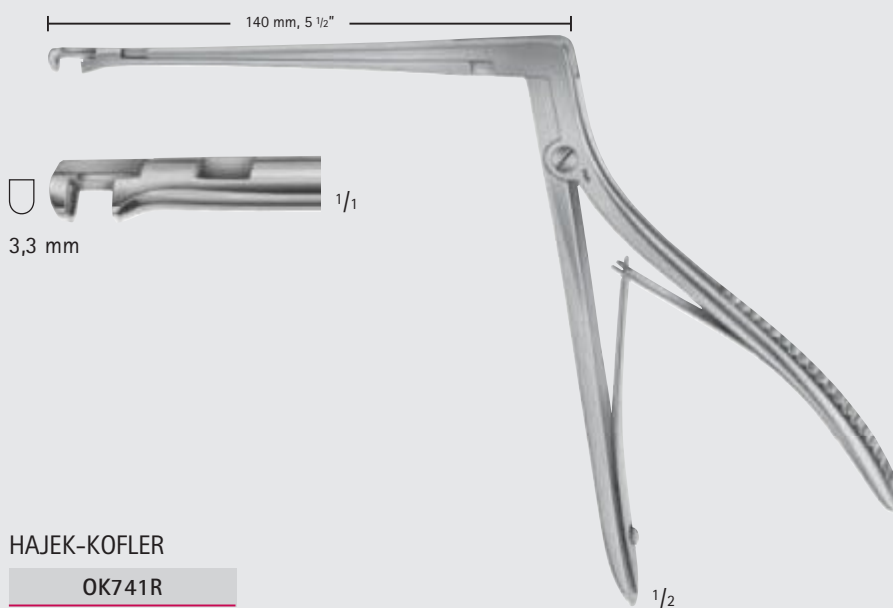
90° nach oben schneidend
upwards cutting



HAJEK-KOFLER

OK740R-OK742R

90° nach unten schneidend
downwards cutting



HAJEK-KOFLER

OK741R

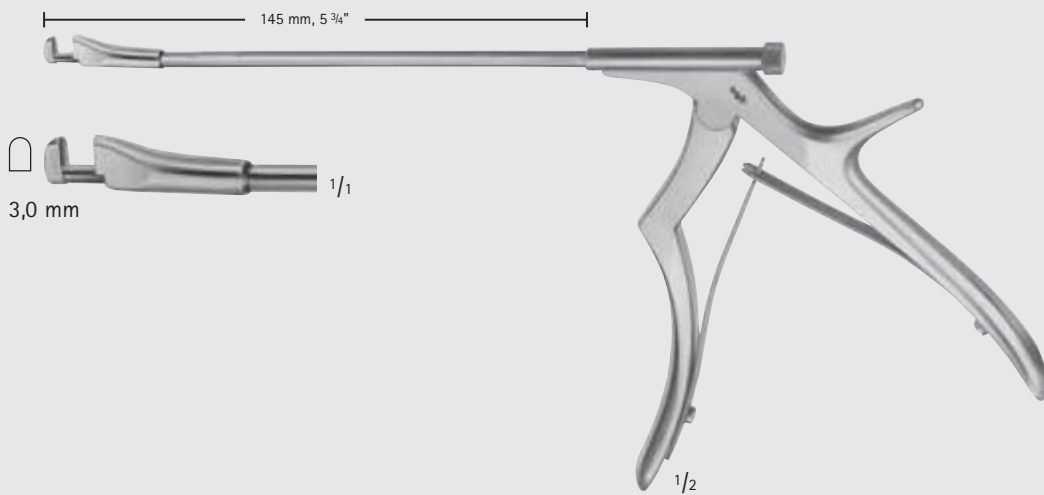


MILLIMETERS

Knochenstanzen, Rongeurs – Bone Punches, Rongeurs

Stanzen
Punches

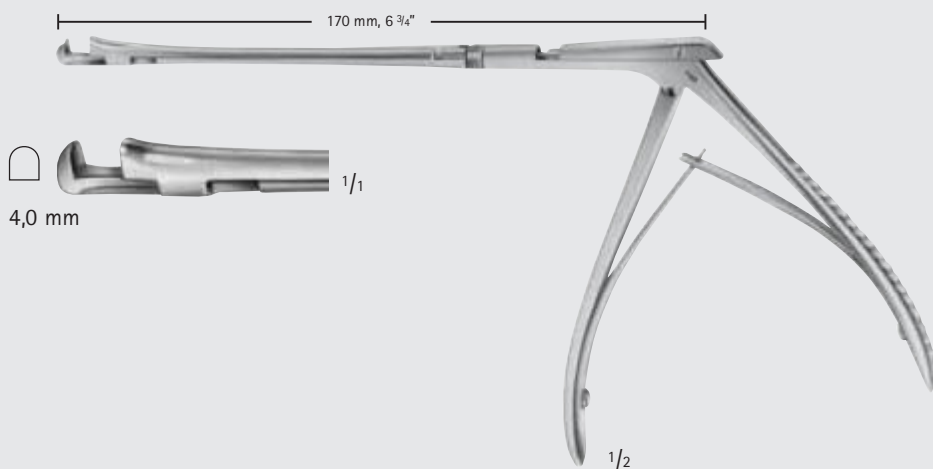
90° drehbar 360°
rotates 360°



KOFLER

OK737R

90° drehbar 360°
rotates 360°



HAJEK-KOFLER

OK745R

FF





Knochenstanzen, Rongeurs – Bone Punches, Rongeurs

Stanzen Punches

130° nach oben schneidend
upwards cutting

250 mm, 10"

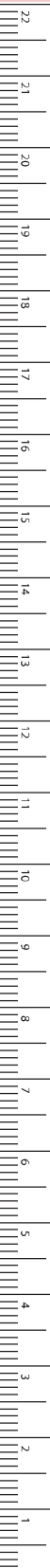


1/2

SYPERT

FG055R

FF



MILLIMETERS

Knochenstanzen, Rongeurs – Bone Punches, Rongeurs

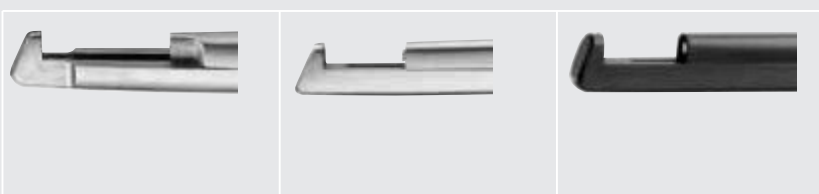
KERRISON Knochenstanzen

KERRISON Bone Punches

90° nach oben schneidend
upwards cutting



Regular



90° oben
90° upwards

90° oben
90° upwards

90° oben
90° upwards

STANDARD
nicht zerlegbar
ohne Ejektor
non detachable
without ejector

zerlegbar
detachable

Ejektor
Ejector

NOIR
zerlegbar
detachable

Ejektor
Ejector

Schaftlänge Shaft length	Breite Width	Fußplatte Footplate					
180 mm, 7"	1,0 mm	regular	FF716R	FK948R	-	FK948B	-
	2,0 mm	regular	FF718R	FK949R	-	FK949B	-
	3,0 mm	regular	FF750R	FK950R	✓	FK950B	✓
	4,0 mm	regular	FF752R	FK951R	✓	FK951B	✓
	5,0 mm	regular	FF754R	FK952R	✓	FK952B	✓
	6,0 mm	regular	FF755R	FK953R	✓	FK953B	✓

90° nach unten schneidend
downwards cutting



Regular



90° unten
90° downwards

90° unten
90° downwards

STANDARD
nicht zerlegbar,
ohne Ejektor
non detachable,
without ejector

zerlegbar
detachable

Ejektor
Ejector

Schaftlänge Shaft length	Breite Width	Fußplatte Footplate					
180 mm, 7"	1,0 mm	regular	FF741R	FK954R	-		
	2,0 mm	regular	FF719R	FK955R	-		
	3,0 mm	regular	FF721R	FK956R	✓		
	4,0 mm	regular	FF742R	FK957R	✓		
	5,0 mm	regular	FF723R	FK958R	✓		
	6,0 mm	regular	FF743R	FK959R	✓		



Knochenstanzen, Rongeurs – Bone Punches, Rongeurs

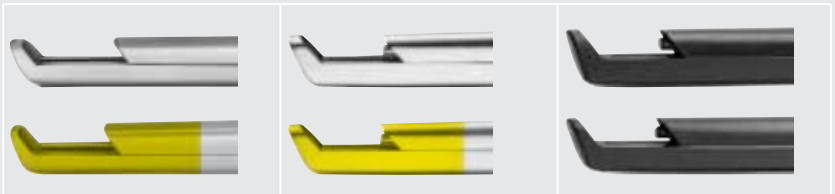
KERRISON Knochenstanzen
KERRISON Bone Punches

130° nach oben schneidend
upwards cutting



Regular

Thin



130° oben
130° upwards

130° oben
130° upwards

130° oben
130° upwards

STANDARD
nicht zerlegbar
ohne Ejektor
non detachable
without ejector

zerlegbar
detachable

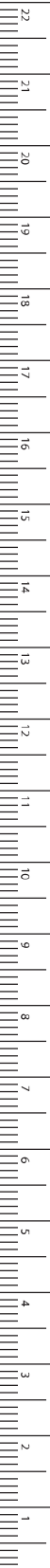
Ejektor
Ejector

NOIR
zerlegbar
detachable

Ejektor
Ejector

Schaftlänge Shaft length	Breite Width	Fußplatte Footplate					
180 mm, 7"	1,0 mm	regular	FF715R	FK900R	-	FK900B	-
	2,0 mm	regular	FF717R	FK901R	-	FK901B	-
	3,0 mm	regular	FF720R	FK902R	✓	FK902B	✓
	4,0 mm	regular	FF724R	FK903R	✓	FK903B	✓
	5,0 mm	regular	FF722R	FK904R	✓	FK904B	✓
	6,0 mm	regular	FF726R	FK905R	✓	FK905B	✓
200 mm, 8"	2,0 mm	regular	FF737R	FK913R	-	FK913B	-
	3,0 mm	regular	FF738R	FK914R	✓	FK914B	✓
	4,0 mm	regular	FF727R	FK915R	✓	FK915B	✓
	5,0 mm	regular	FF728R	FK916R	✓	FK916B	✓
	6,0 mm	regular	FF729R	FK917R	✓	FK917B	✓
230 mm, 9"	2,0 mm	regular	FF682R	FK919R	-		
	3,0 mm	regular	FF683R	FK920R	✓		
	4,0 mm	regular	FF684R	FK921R	✓		
	5,0 mm	regular	FF685R	FK922R	✓		
180 mm, 7"	1,0 mm	thin	FF771R	FK906R	-	FK906B	-
	2,0 mm	thin	FF772R	FK907R	-	FK907B	-
	3,0 mm	thin	FF773R	FK908R	✓	FK908B	✓
	4,0 mm	thin	FF769R	FK909R	✓	FK909B	✓
	5,0 mm	thin	FF770R	FK910R	✓	FK910B	✓
200 mm, 8"	1,0 mm	thin	FF661R	FK961R	-	FK961B	-
	2,0 mm	thin	FF662R	FK962R	-	FK962B	-
	3,0 mm	thin	FF663R	FK963R	✓	FK963B	✓
	4,0 mm	thin	FF664R	FK964R	✓	FK964B	✓
	5,0 mm	thin	FF665R	FK965R	✓	FK965B	✓
230 mm, 9"	2,0 mm	thin	FF746R	FK925R	-	FK925B	-
	3,0 mm	thin	FF747R	FK926R	✓	FK926B	✓
	4,0 mm	thin	FF748R	FK927R	✓	FK927B	✓
	5,0 mm	thin	FF749R	FK928R	✓	FK928B	✓

FF



MILLIMETERS

Knochenstanzen, Rongeurs – Bone Punches, Rongeurs

KERRISON Knochenstanzen

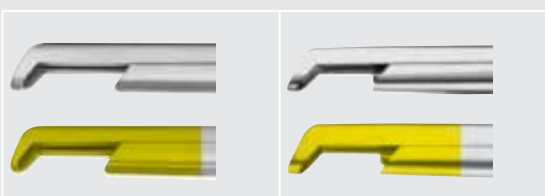
KERRISON Bone Punches

130° nach unten schneidend
downwards cutting



Regular

Thin



130° unten
130° downwards

130° unten
130° downwards

STANDARD
nicht zerlegbar
ohne Ejektor
non detachable
without ejector

zerlegbar
detachable

Ejektor
Ejector

Schaftlänge Shaft length	Breite Width	Fußplatte Footplate			
180 mm, 7"	1,0 mm	regular	FF711R	FK930R	-
	2,0 mm	regular	FF712R	FK931R	-
	3,0 mm	regular	FF713R	FK932R	✓
	4,0 mm	regular	FF714R	FK933R	✓
	5,0 mm	regular	FF725R	FK934R	✓
230 mm, 9"	2,0 mm	regular	FF692R	FK943R	-
	3,0 mm	regular	FF693R	FK944R	✓
	4,0 mm	regular	FF694R	FK945R	✓
	5,0 mm	regular	FF695R	FK946R	✓
180 mm, 7"	1,0 mm	thin	FF781R	FK936R	-
	2,0 mm	thin	FF782R	FK937R	-
	3,0 mm	thin	FF783R	FK938R	✓
	4,0 mm	thin	FF784R	FK939R	✓
	5,0 mm	thin	FF785R	FK940R	✓

FF

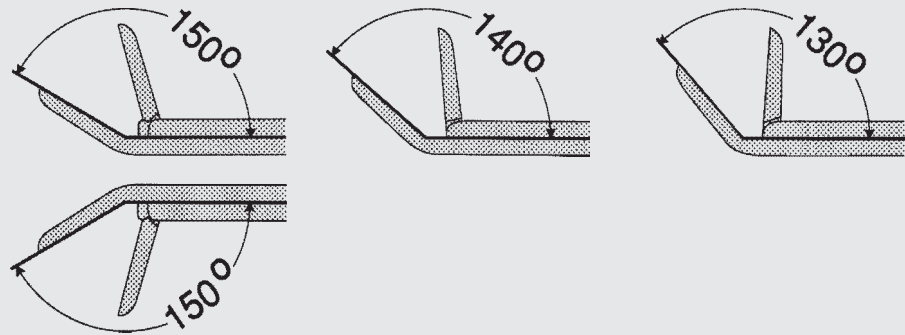




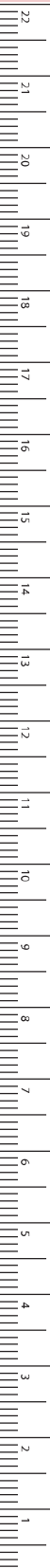
Knochenstanzen, Rongeurs – Bone Punches, Rongeurs

Rongeurs
Rongeurs

Winkelstellungen bei Rongeurs
Angled positions for rongeurs



FF



OK505R

3,0 mm



OK506R

3,6 mm



OK507R

4,2 mm



OK508R

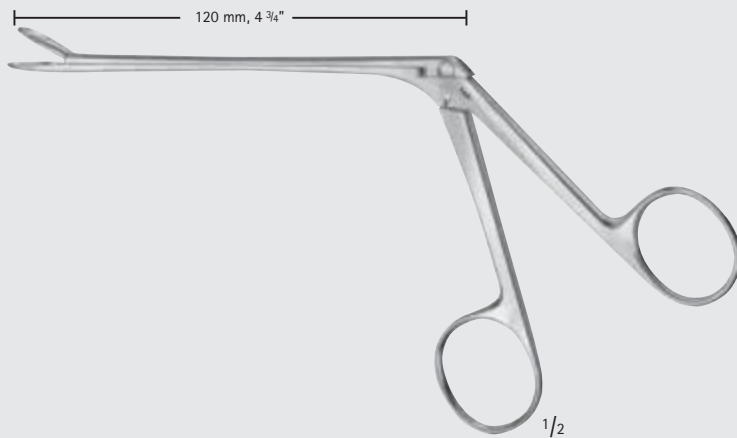
4,8 mm



OK509R

5,6 mm

1/1



WEIL-BLAKESLEY

OK505R-OK509R

140°



OK520R

3,6 mm



OK521R

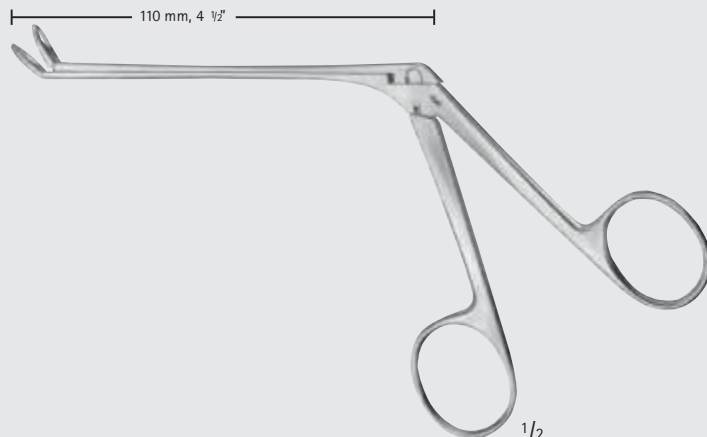
4,2 mm



OK522R

4,8 mm

1/1



WEIL-BLAKESLEY

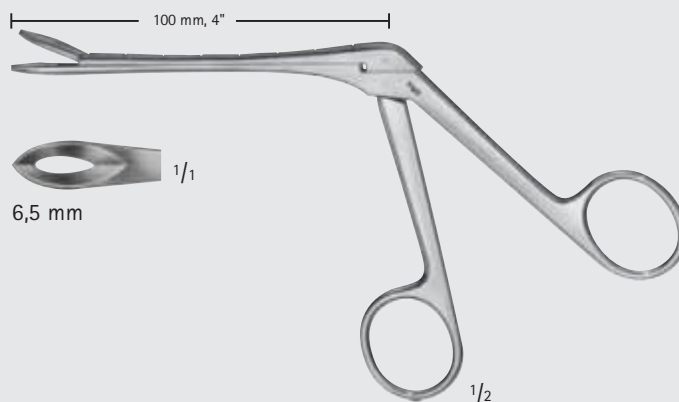
OK520R-OK522R

MILLIMETERS

Knochenstanzen, Rongeurs – Bone Punches, Rongeurs

Rongeurs

Rongeurs

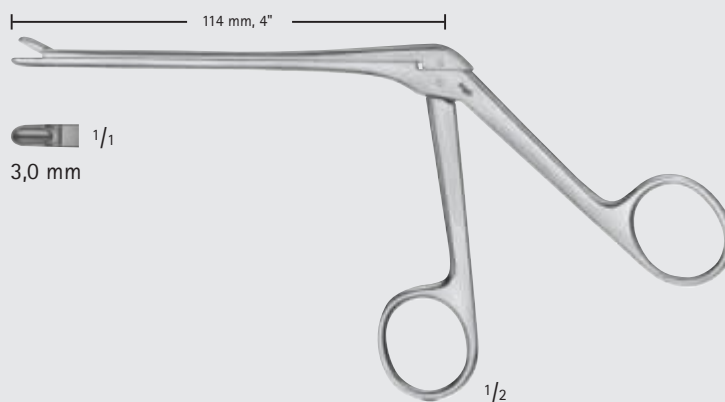


HENCKEL-TILLEY

OK503R

Schaft graduiert in cm

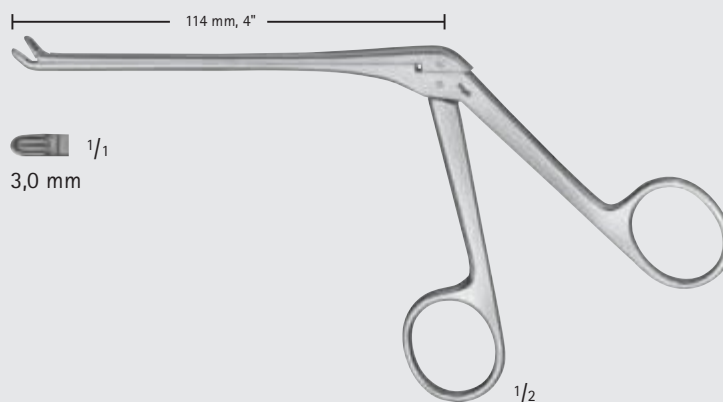
Shaft graduated in cm



ST. BARTS

OK536R

140°



ST. BARTS

OK537R

FF



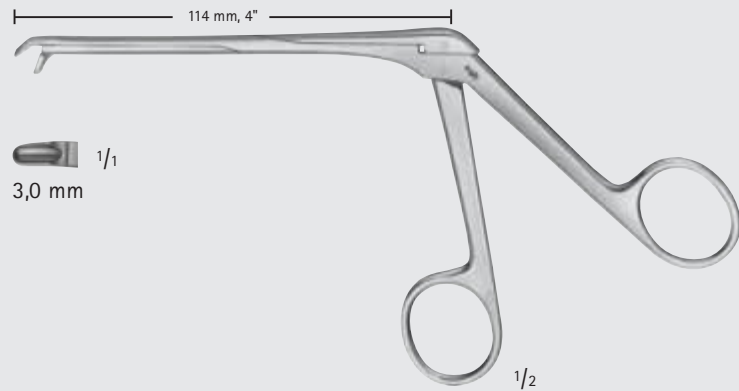


Knochenstanzen, Rongeurs – Bone Punches, Rongeurs

Rongeurs
Rongeurs

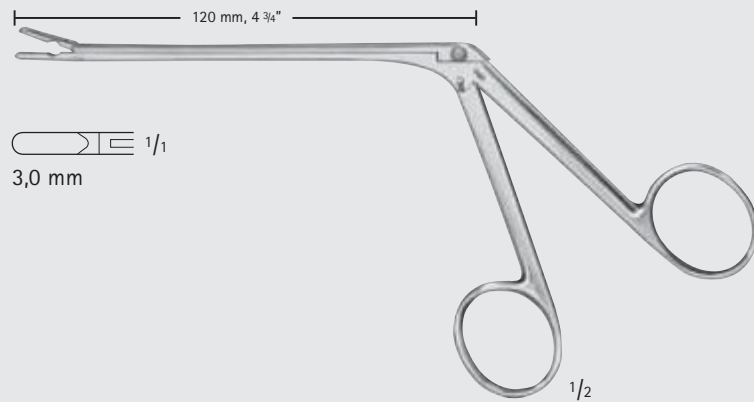
FF

140°



ST. BARTS

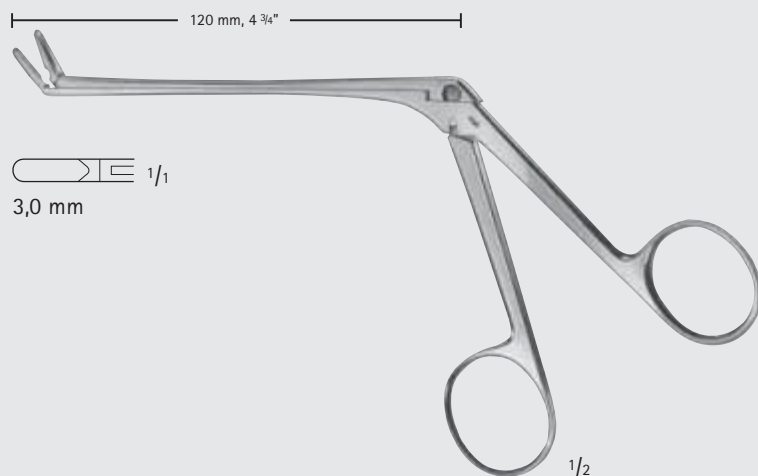
OK538R



TAKAHASHI

OK525R

130°



TAKAHASHI

OK526R

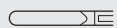


MILLIMETERS

Knochenstanzen, Rongeurs – Bone Punches, Rongeurs

Rongeurs
Rongeurs

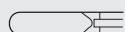
FF



LOVE-GRUENWALD

FF799R

2 x 10 mm



LOVE-GRUENWALD

FF800R

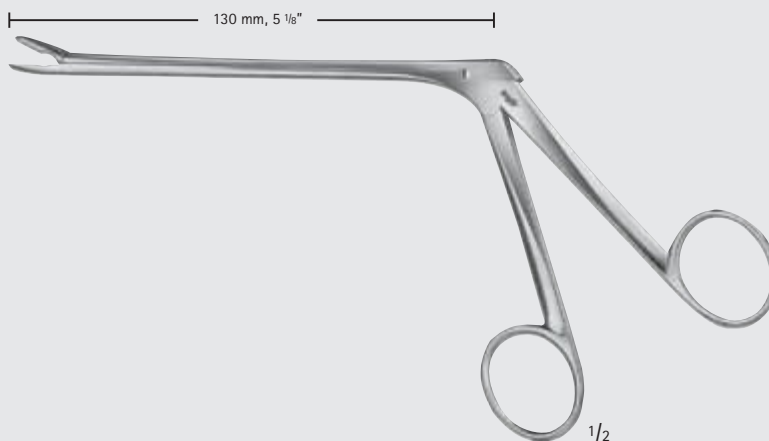
3 x 10 mm



SPURLING

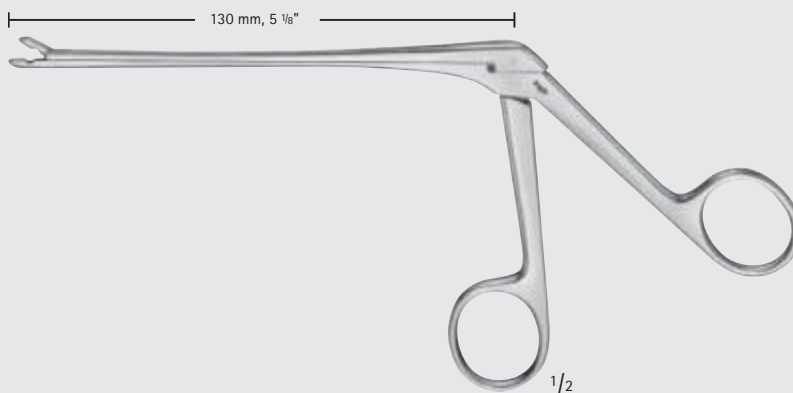
FF801R

4 x 10 mm



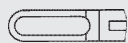
FF799R-FF810R

2,0 mm
1/1



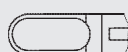
BECK

FF765R



FF766R

4,0 mm



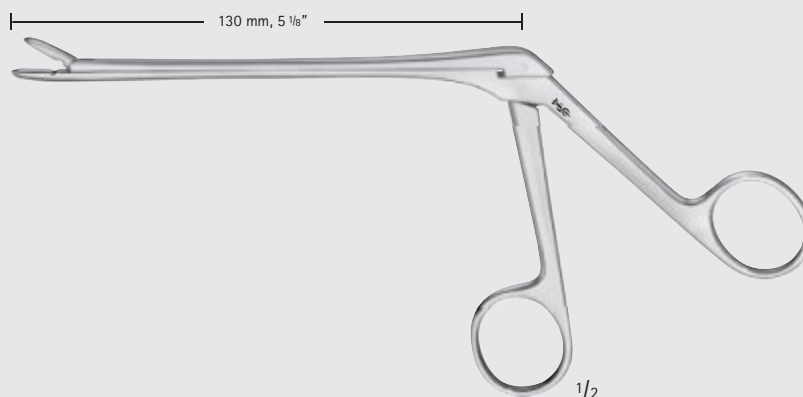
FF767R

5,0 mm



FF768R

6,0 mm



CUSHING

FF766R-FF768R



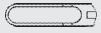


Knochenstanzen, Rongeurs – Bone Punches, Rongeurs

Rongeurs
Rongeurs

FF

150°



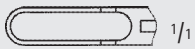
FF774R

3,0 mm



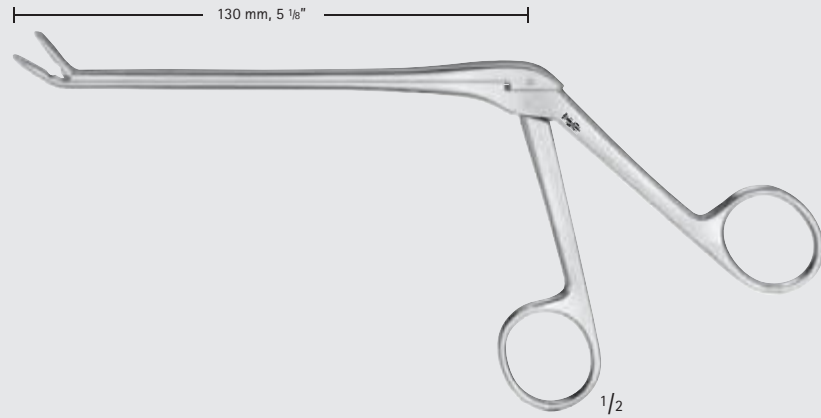
FF775R

4,0 mm



FF776R

5,0 mm



CUSHING

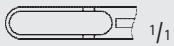
FF774R-FF776R

150°



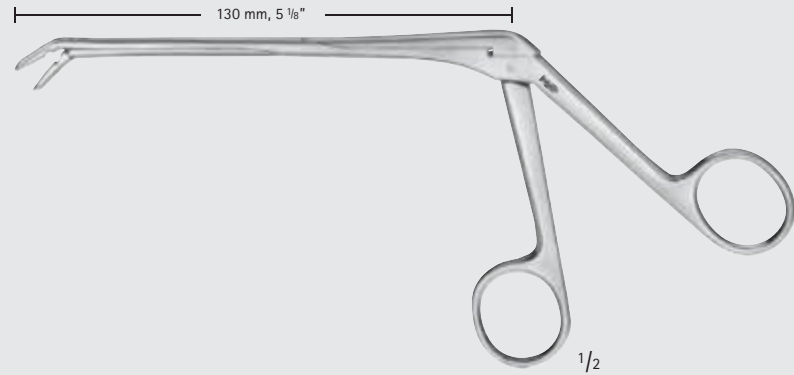
FF777R

3,0 mm



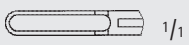
FF778R

4,0 mm

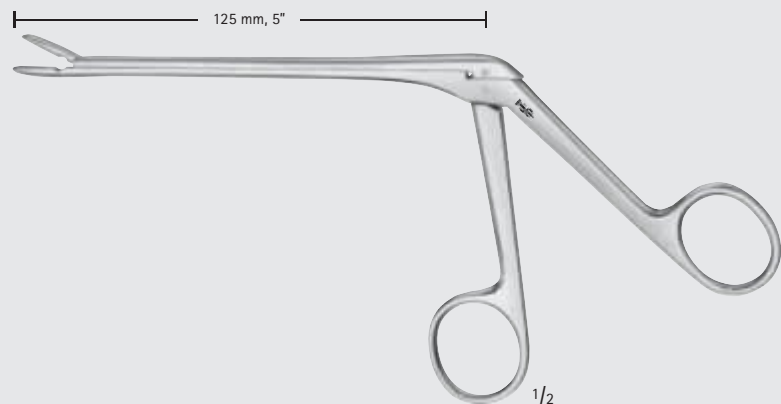


CUSHING

FF777R-FF778R



3,0 mm



PENNYBACKER

FF779R

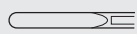


MILLIMETERS

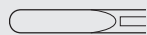
Knochenstanzen, Rongeurs – Bone Punches, Rongeurs

Rongeurs
Rongeurs

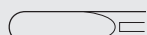
FF



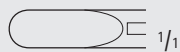
FF832R
2,0 mm



FF833R
3,0 mm



FF834R
4,0 mm



FF835R
5,0 mm

150 mm, 6"



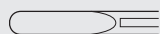
CASPAR

FF832R-FF835R

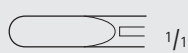
150°



FF842R
2,0 mm



FF843R
3,0 mm



FF844R
4,0 mm

150 mm, 6"



CASPAR

FF842R-FF844R

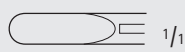
150° unteres Maulteil beweglich
lower part of jaw movable



FF852R
2,0 mm



FF853R
3,0 mm



FF854R
4,0 mm

150 mm, 6"



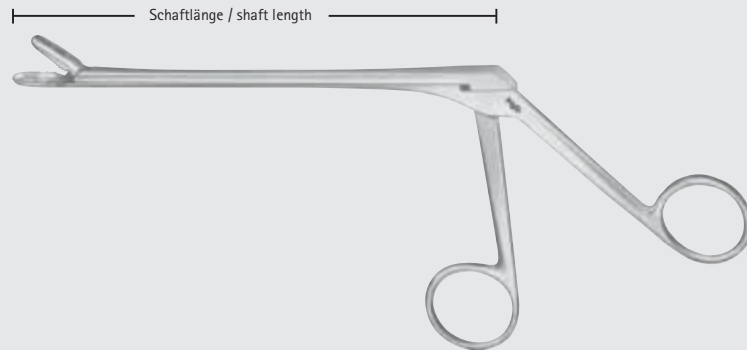
CASPAR

FF852R-FF854R








Knochenstanzen, Rongeurs – Bone Punches, Rongeurs

Rongeurs
Rongeurs

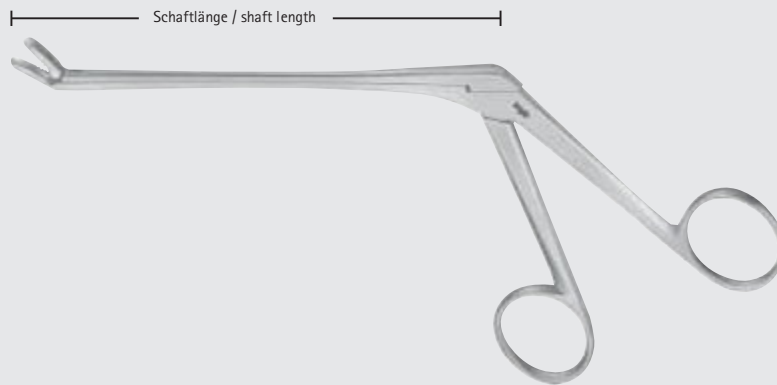


CASPAR

FF502R-FF566R




Maulgröße Jaw size	 2 x 12 mm	 3 x 12 mm	 4 x 14 mm	 5 x 14 mm	 6 x 16 mm
Schaftlänge Shaft length	FF502R	FF503R	FF504R		
	128 mm, 5 1/8"	128 mm, 5 1/8"	130 mm, 5 1/8"		
	FF532R	FF533R	FF534R	FF535R	FF536R
	148 mm, 6"	148 mm, 6"	150 mm, 6"	150 mm, 6"	152 mm, 6"
	FF562R	FF563R	FF564R	FF565R	FF566R
	172 mm, 6 3/4"	172 mm, 6 3/4"	175 mm, 7"	175 mm, 7"	177 mm, 7"

150°

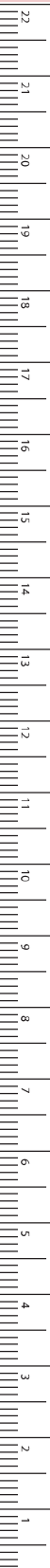


CASPAR

FF513R-FF575R

Maulgröße Jaw size	 3 x 12 mm	 4 x 14 mm	 5 x 14 mm
Schaftlänge Shaft length	FF513R	FF514R	
	128 mm, 5 1/8"	130 mm, 5 1/8"	
	FF543R	FF544R	FF545R
	147 mm, 5 3/4"	149 mm, 6"	150 mm, 6"
	FF573R	FF574R	FF575R
	171 mm, 6 3/4"	174 mm, 7"	174 mm, 6 3/4"

FF

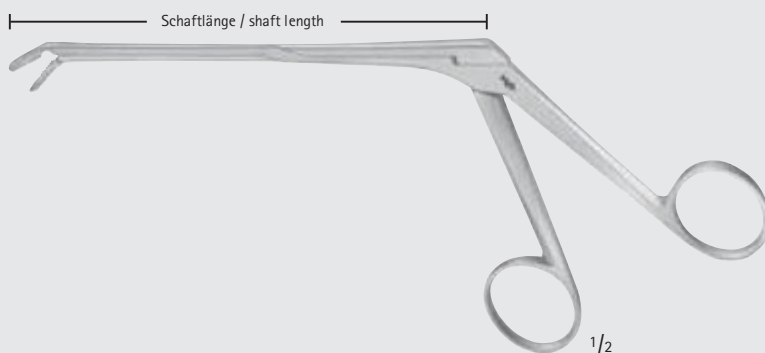


MILLIMETERS

Knochenstanzen, Rongeurs – Bone Punches, Rongeurs



Rongeurs
Rongeurs

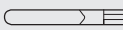
150° unteres Maulteil beweglich
lower part of jaw movable



CASPAR


FF523R-FF584R

Maulgröße Jaw size	 3 x 12 mm	 4 x 14 mm
Schaftlänge Shaft length	FF523R	FF524R
	127 mm, 5"	129 mm, 5 1/8"
	FF553R	FF554R
	148 mm, 6"	149 mm, 6"
	FF583R	FF584R
	170 mm, 6 3/4"	175 mm, 7"

 CUSHING

FF803R

2 x 10 mm

 LOVE-GRUENWALD

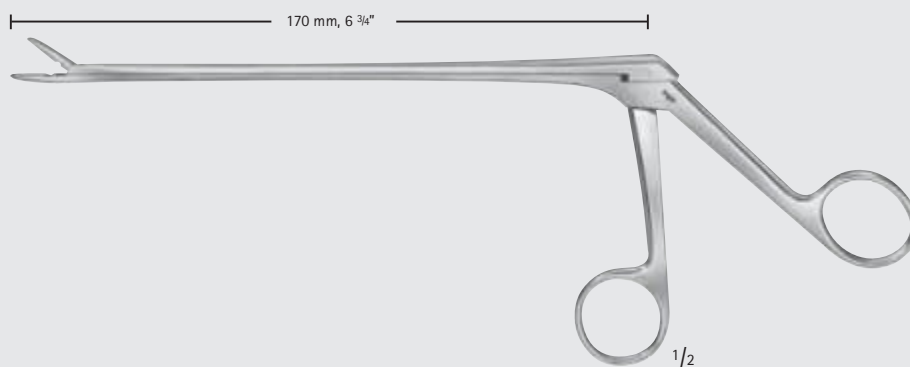
FF805R

3 x 10 mm

 SPURLING 1/1

FF807R

4 x 10 mm



FF803R-FF807R

FF



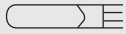


Knochenstanzen, Rongeurs – Bone Punches, Rongeurs

Rongeurs
Rongeurs

FF

150°



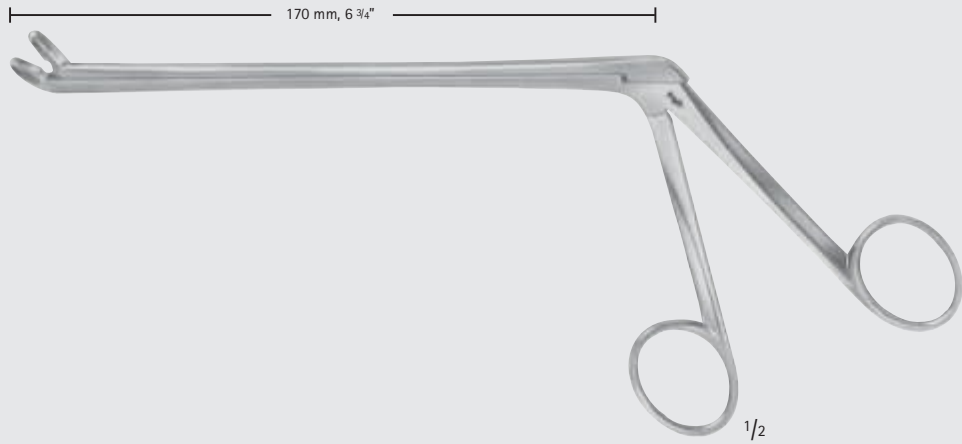
FF806R

3 x 10 mm



FF814R

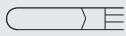
4 x 10 mm



LOVE-GRUENWALD

FF806R-FF814R

150° oberes Maulteil beweglich
upper part of jaw movable



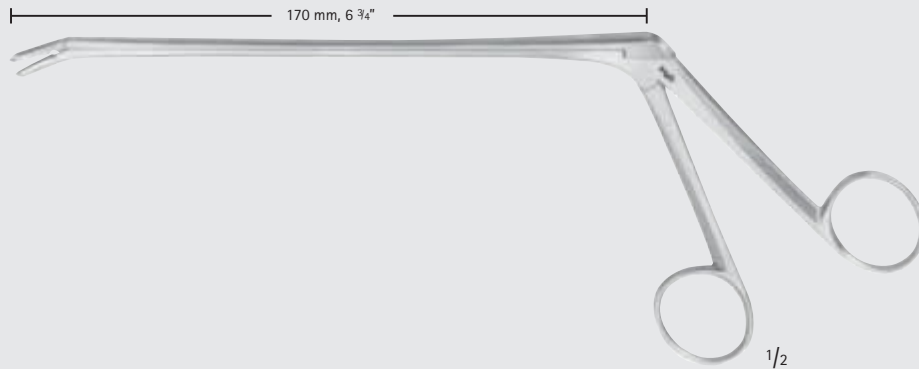
FF810R

3 x 10 mm



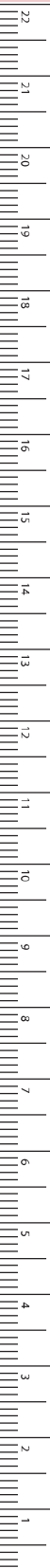
FF811R

4 x 10 mm



LOVE-GRUENWALD

FF810R-FF811R



MILLIMETERS

Knochenstanzen, Rongeurs – Bone Punches, Rongeurs

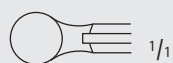
Rongeurs

Rongeurs

FF



170 mm, 6 3/4"



Ø 7,0 mm
diam. 7.0 mm



OLDBERG

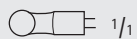
FF605R

185 mm, 7 1/4"



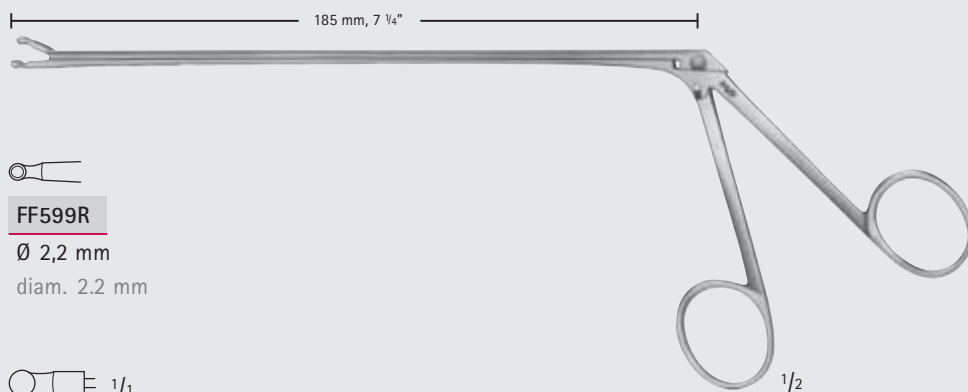
FF599R

Ø 2,2 mm
diam. 2.2 mm



FF600R

Ø 3,5 mm
diam. 3.5 mm



YASARGIL

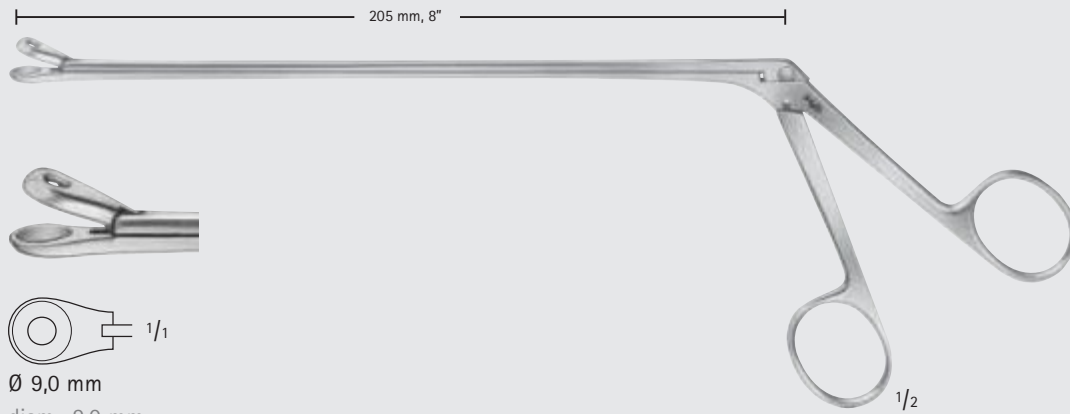
FF599R-FF600R



Knochenstanzen, Rongeurs – Bone Punches, Rongeurs

Rongeurs
Rongeurs

FF

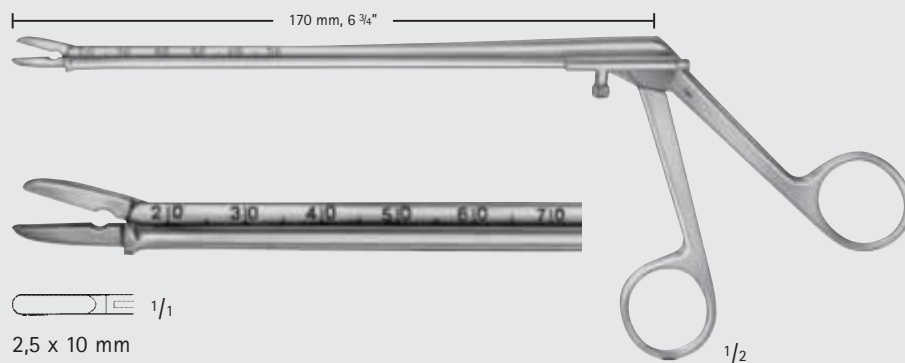


Ø 9,0 mm
diam. 9.0 mm

LANDOLT

FF345R

Tumorfasszange, stumpf
Tumor grasping forceps, blunt



2,5 x 10 mm

KRÄMER

FF820R

mit Tiefenanschlag
with depth guard



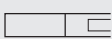
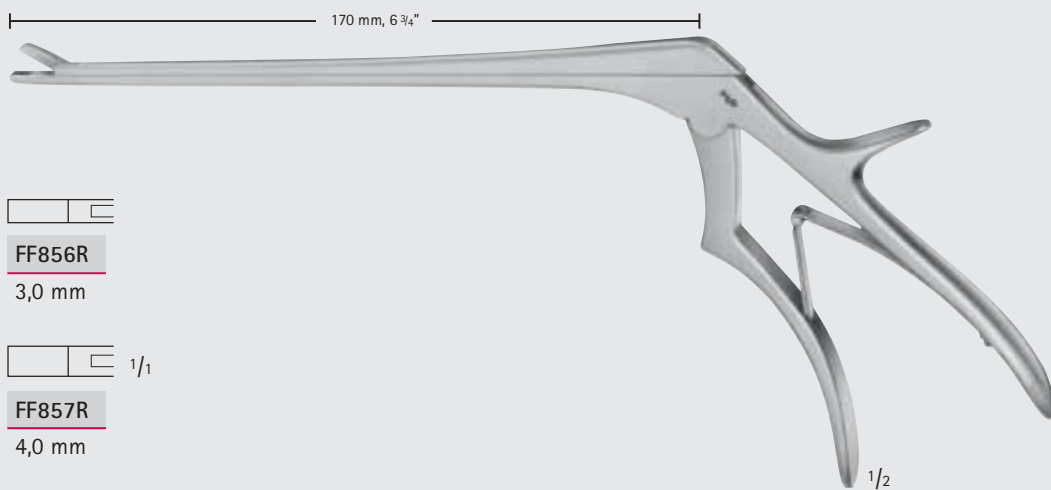
MILLIMETERS

Knochenstanzen, Rongeurs – Bone Punches, Rongeurs

Rongeurs

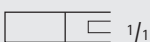
Rongeurs

FF



FF856R

3,0 mm



FF857R

4,0 mm

CASPAR

FF856R-FF857R



4,0 mm

1/1

CASPAR

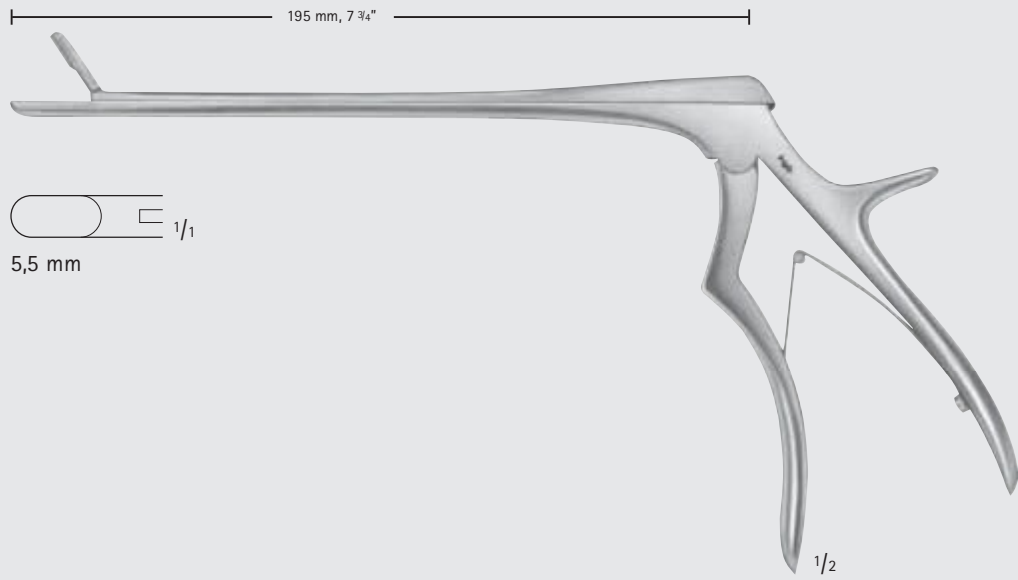
FF858R



Knochenstanzen, Rongeurs – Bone Punches, Rongeurs

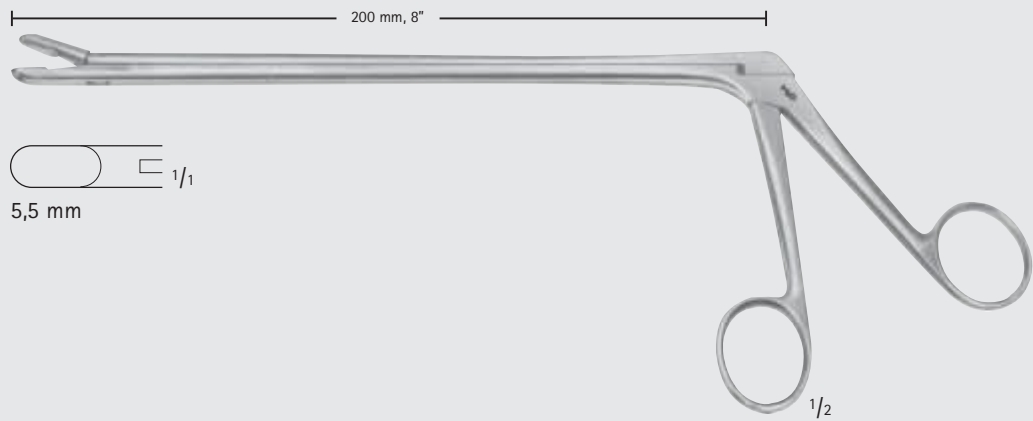
Rongeurs
Rongeurs

FF



WAGNER

FF818R



WAGNER

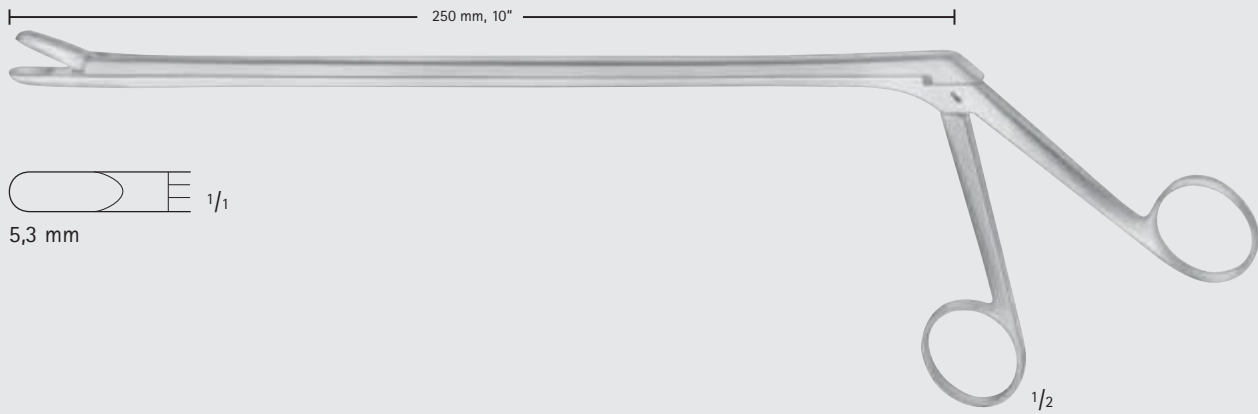
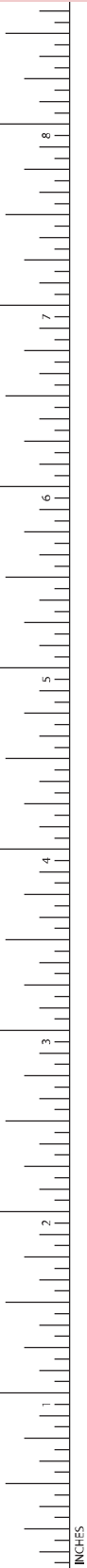
FF808R



Knochenstanzen, Rongeur – Bone Punches, Rongeurs

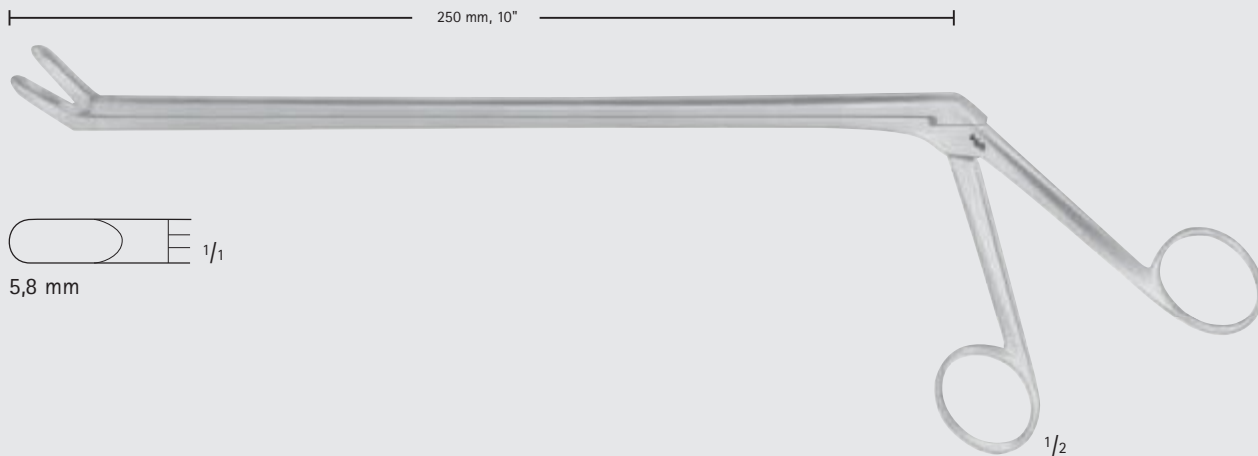
Rongeur
Rongeurs

FF



ND087R

150°



SYPERT
FG057R

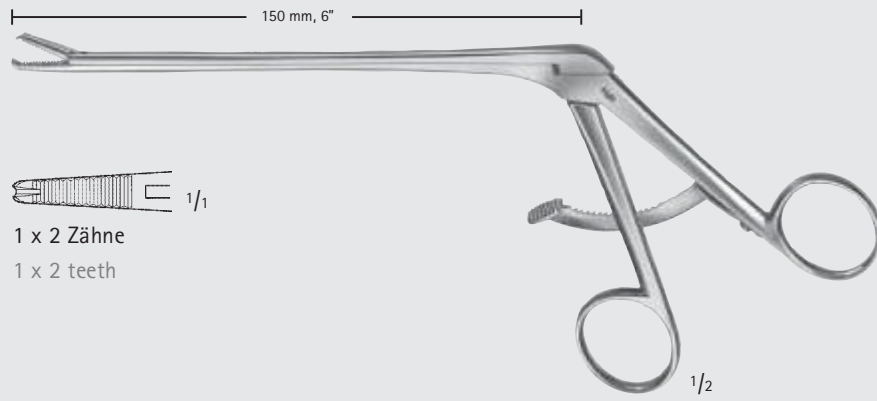


Knochenstanzen, Rongeurs – Bone Punches, Rongeurs

Ligamentum Flavum Faszange

Grasping Forceps for Ligamentum Flavum

FF



1 x 2 Zähne
1 x 2 teeth

KRAMER

FO820R

mit Sperre
with catch



MILLIMETERS